



BrikStar iSwarf 50

Compact
briquetting press
for metal briquetting

HÖCKER[®]
POLYTECHNIK

Always one idea ahead

BrikStar iSwarf 50

The economic package for the decentralised metal briquetting.

Compact and flexible.

The BrikStar iSwarf 50 was developed to press even smaller quantities of the metal chips produced - of course you benefit from all the advantages of the BrikStar iSwarf series.

The compact design allows space-saving installation as a decentralized „stand-alone solution“ or as an integrated press behind a processing machine for automated operation.

Properties

- compact device design
- easy operation and maintenance
- easy installation and handling
- can be used flexibly on different machines

BrikStar iSwarf 50. The clever decision!

- Metal briquettes achieve higher recycling revenues
- recovers coolants and minimizes disposal costs
- reduces the volume of swarfs produced up to 1/10
- reduces handling costs for storage and transport
- easy to clean. This means short downtimes when changing materials
- creates clean working environments
- protects the environment through metal recycling and recovery of cooling liquids
- Amortizes already with smaller chip volume

Areas of application

- all metal-cutting, metal-working companies
- suitable for aluminium, steel and grey cast iron

Lineup

- directly under the conveyor of the machining centre.
- energy-efficient, automated operation through level sensors
- stand alone operation. Material is added manually



BrikStar iSwarf 50: The flexible metal briquetting machine from Höcker Polytechnik can be used anywhere thanks to its wheels.

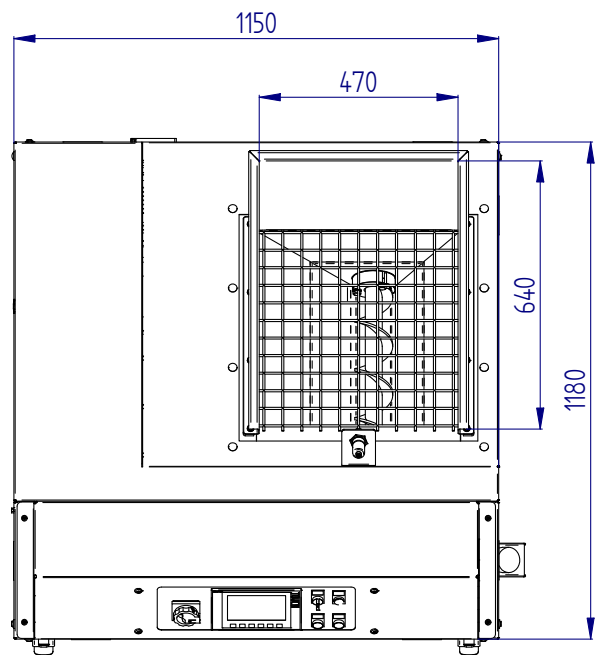
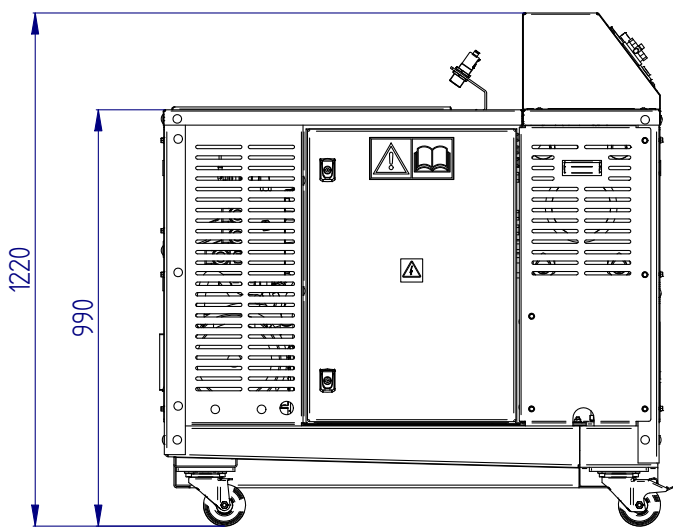
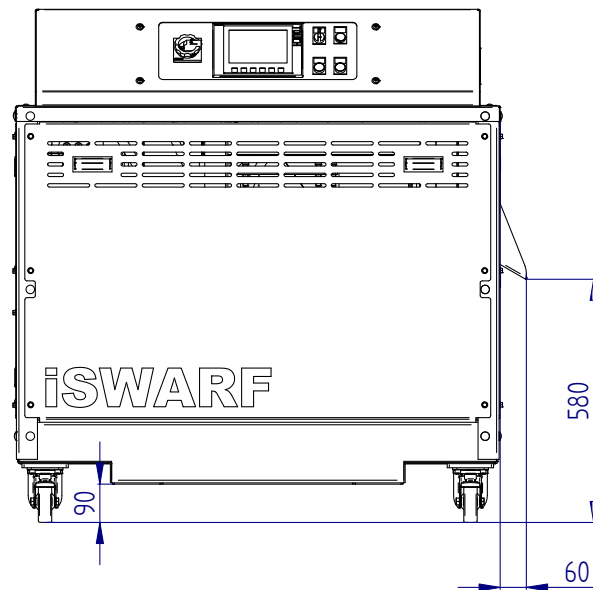
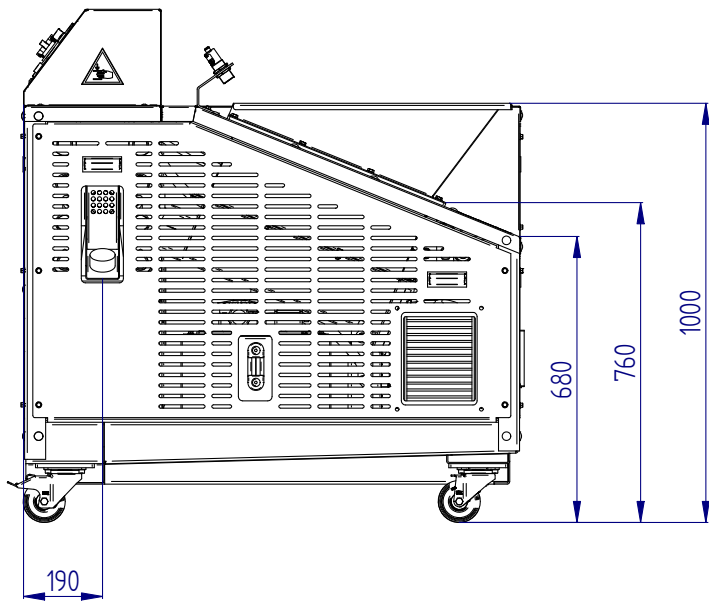


Material feed via screw. Filling by hand or automated. Illustration shows machine without container top and without intervention protection.



This BrikStar iSwarf also enables the coolant to be recovered.

Measurements



Technical data

Typ	Briquetting capacity (Aluminium/Steel/Grey Cast Iron)*	Container volume (m ³)	Ø Briquettes (mm)	Hydraulic motor (kW)	Total output (kW)
BriqStar iSwarf 50	max. 50/90/90 kg/h	0,1	60	4,00	4,50

* Test briquetting reserved



HÖCKER POLYTECHNIK GmbH
Borgloher Straße 1
49176 Hilter a.T.W.
Deutschland

fon +49 (0)5409 405 0
mail info@hpt.net



www.hoecker-polytechnik.de

HÖCKER[®]
POLYTECHNIK

Always one idea ahead